

4

3

2

1

D

D

C

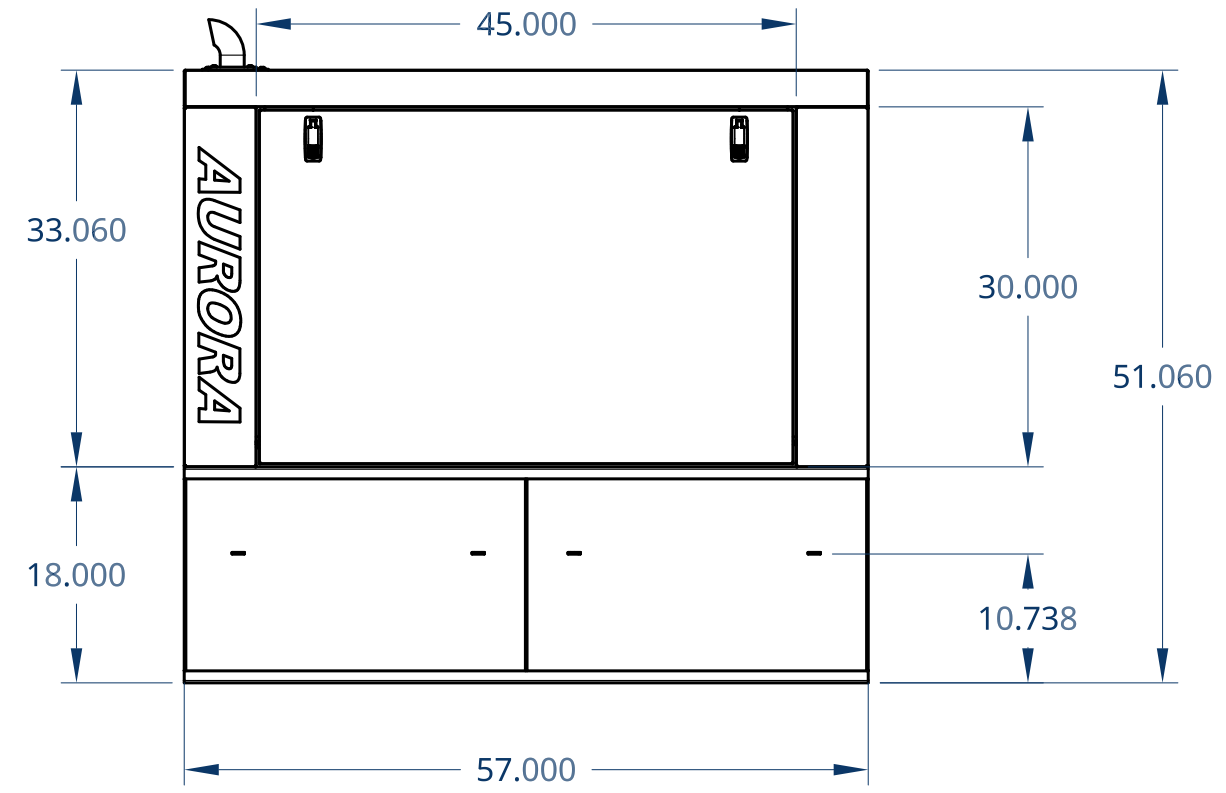
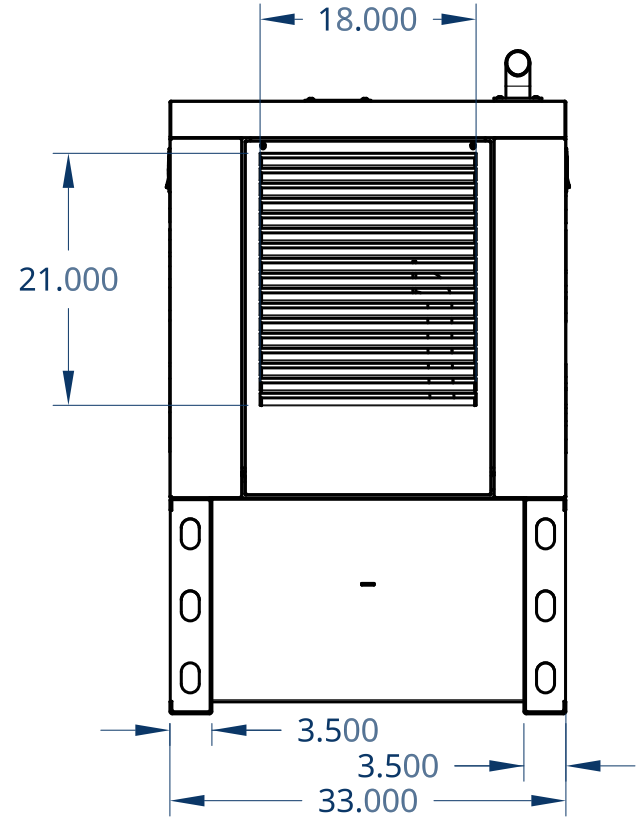
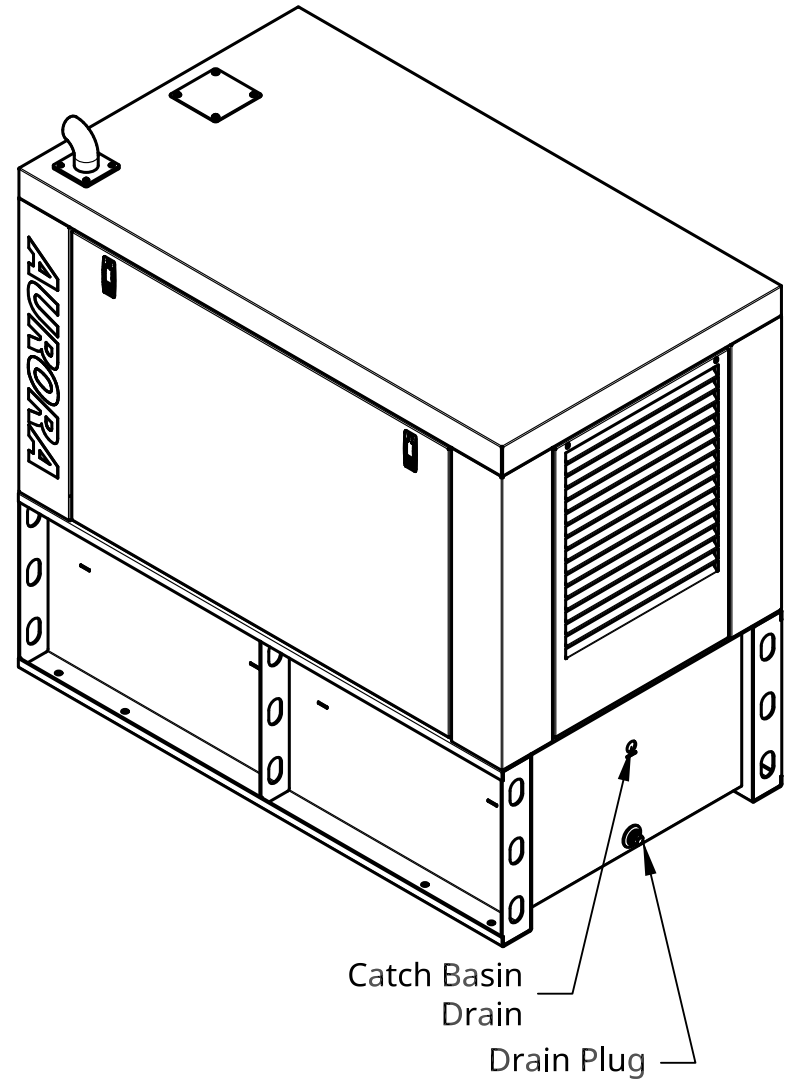
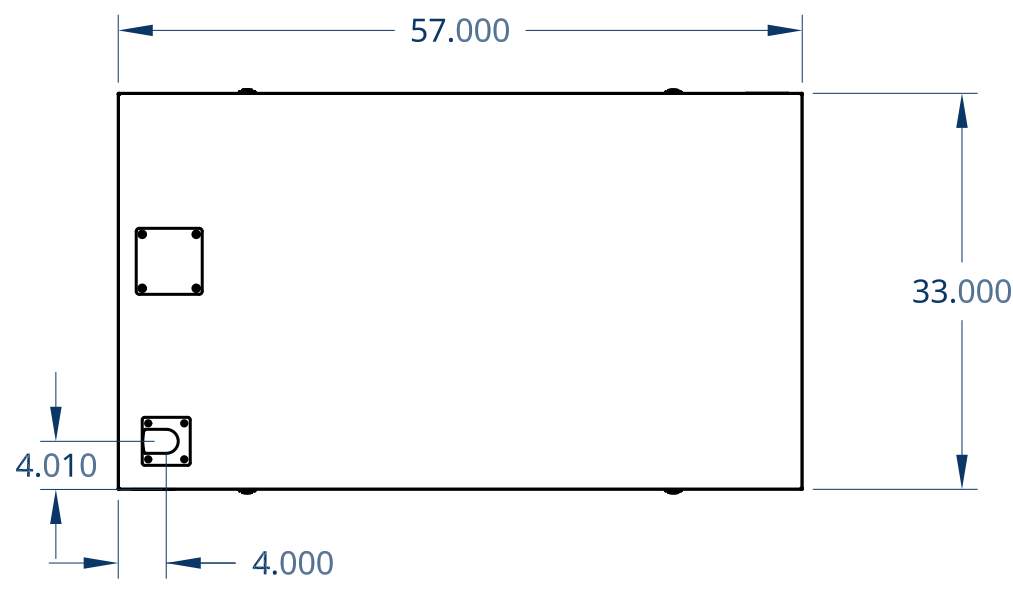
C

B

B

A

A



UNLESS OTHERWISE SPECIFIED,  
DIMENSIONS ARE IN INCHES

.XX = ±.0-  
.XXX = ±.00-  
.XXXX = ±.000-

ANGULAR = ± °  
FRACTIONAL = ±

SURFACE FINISH

DO NOT SCALE DRAWING

BREAK ALL SHARP EDGES AND  
REMOVE BURRS

THIRD ANGLE PROJECTION

	NAME	DATE
DRAWN	Aurora	04/02/2020
CHECKED		
APPROVED		
MATERIAL	FINISH	

TITLE			50 Gallon Tank 10,13 & 20 kW Generators Aurora Generators Inc.		
SIZE	DWG NO.	M Platform - 50		REV.	C
SCALE	1:16	WEIGHT	SHEET		1 of 1

4

3

2

1