

4

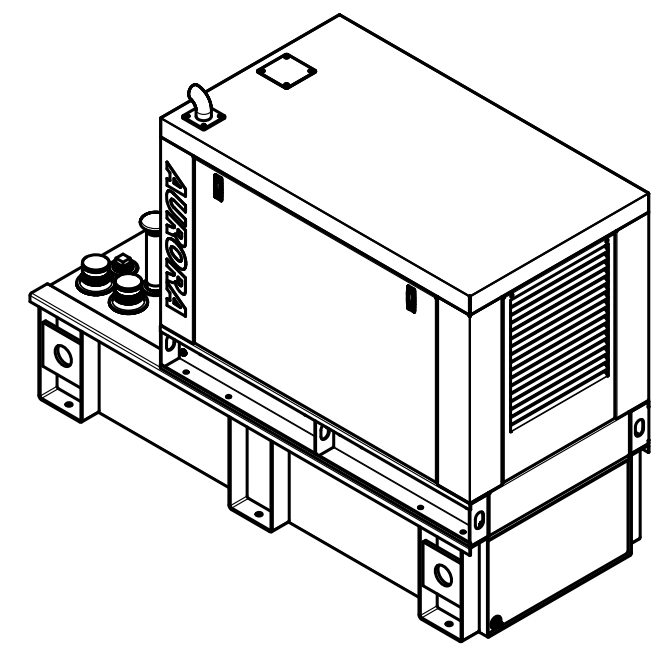
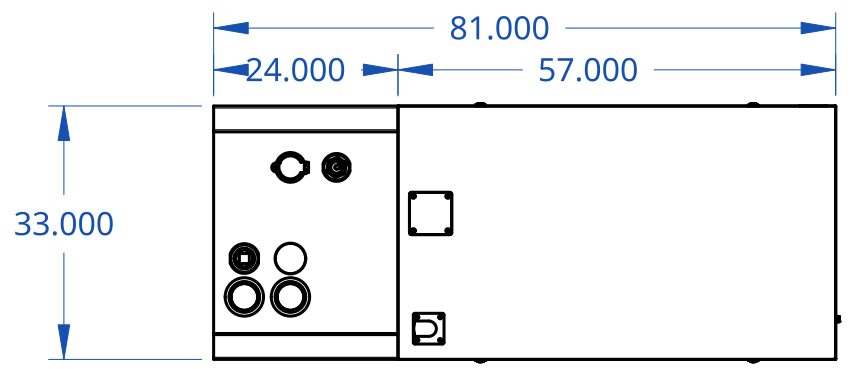
3

2

1

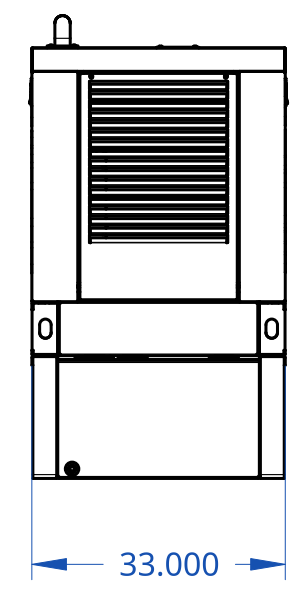
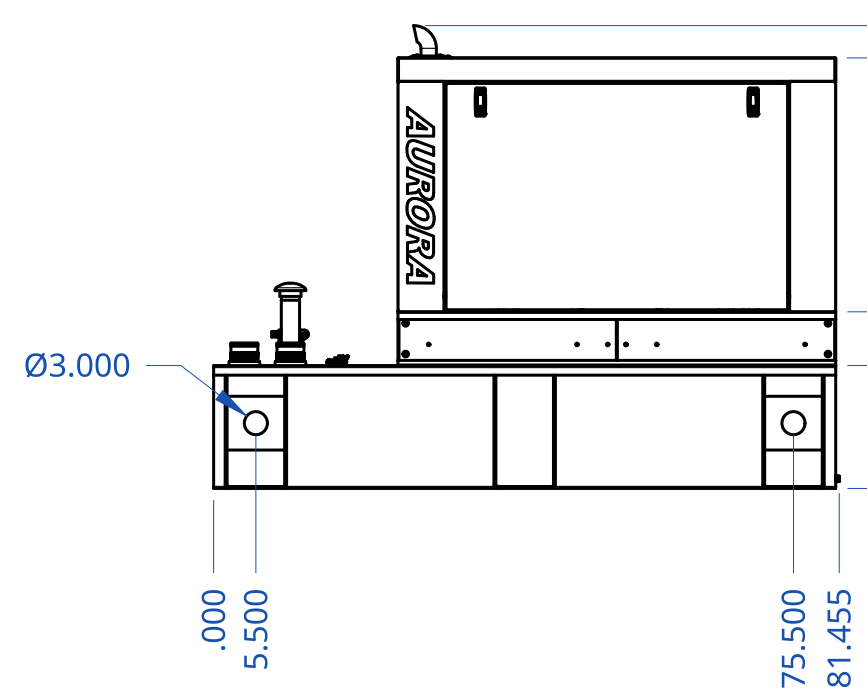
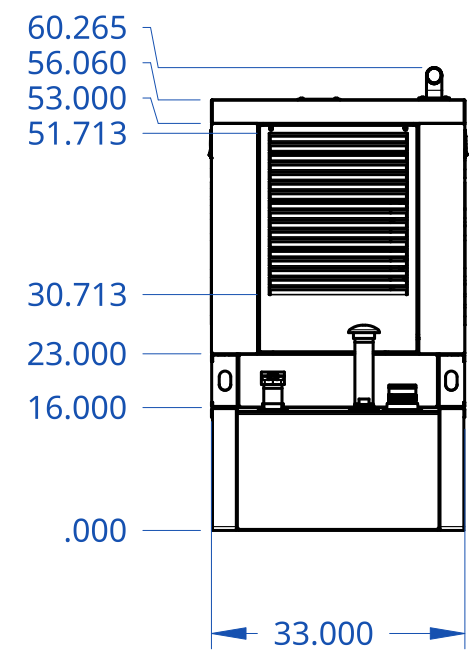
D

D



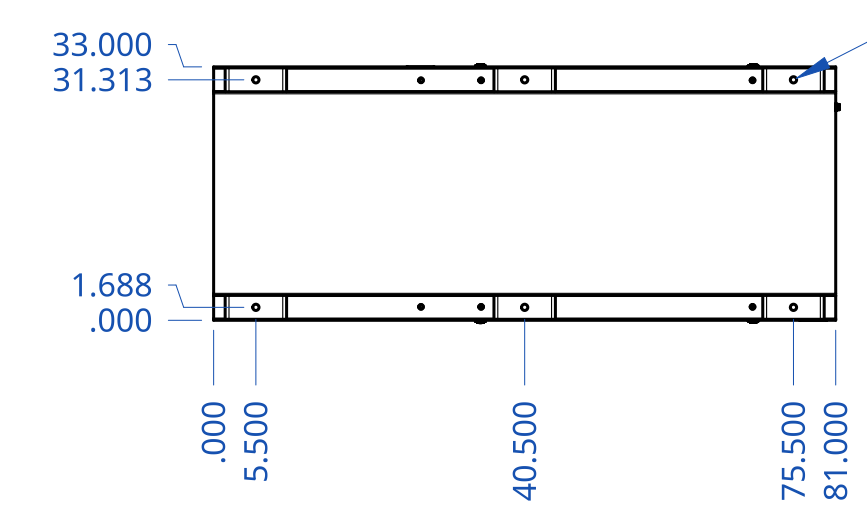
C

C



B

B



A

A

UNLESS OTHERWISE SPECIFIED,
DIMENSIONS ARE IN INCHES

.XX = ±.0-
.XXX = ±.00-
.XXXX = ±.000-

ANGULAR = ± °
FRACTIONAL = ±

SURFACE FINISH

DO NOT SCALE DRAWING

BREAK ALL SHARP EDGES AND
REMOVE BURRS

THIRD ANGLE PROJECTION

	NAME	DATE
DRAWN	Aurora	April 6 2022
CHECKED		
APPROVED		
MATERIAL	FINISH	

TITLE			6-20 kW Generators With 100 Gallon Double Wall Tank Aurora Generators Inc.		
SIZE	DWG NO.	REV.			
B	M Platform - 100	A			
SCALE	WEIGHT	SHEET	1 of 1		

4

3

2

1