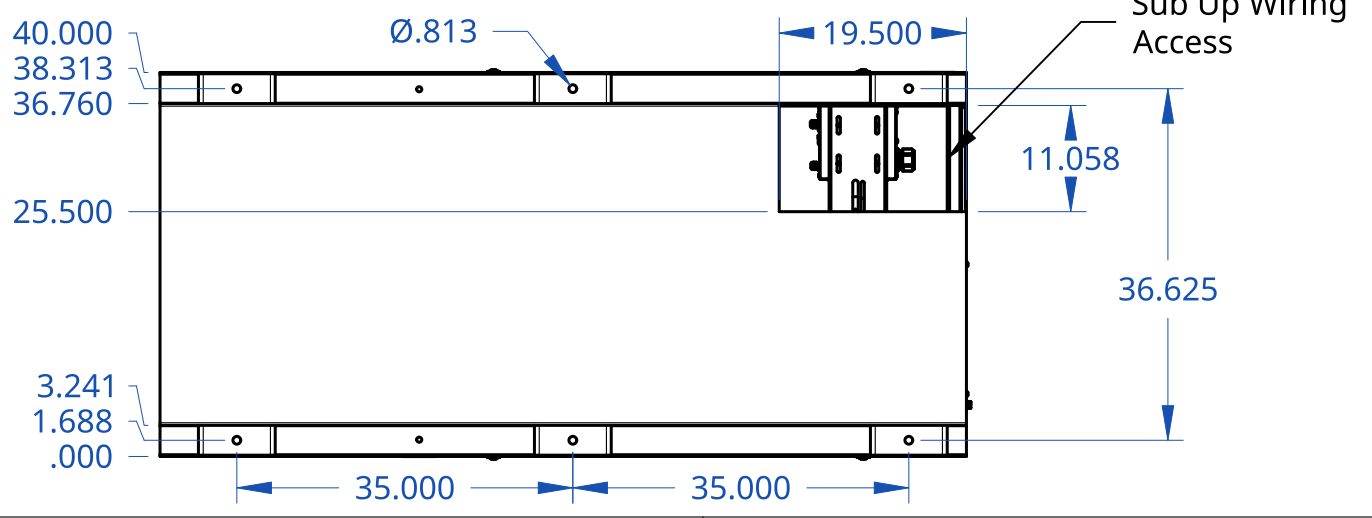
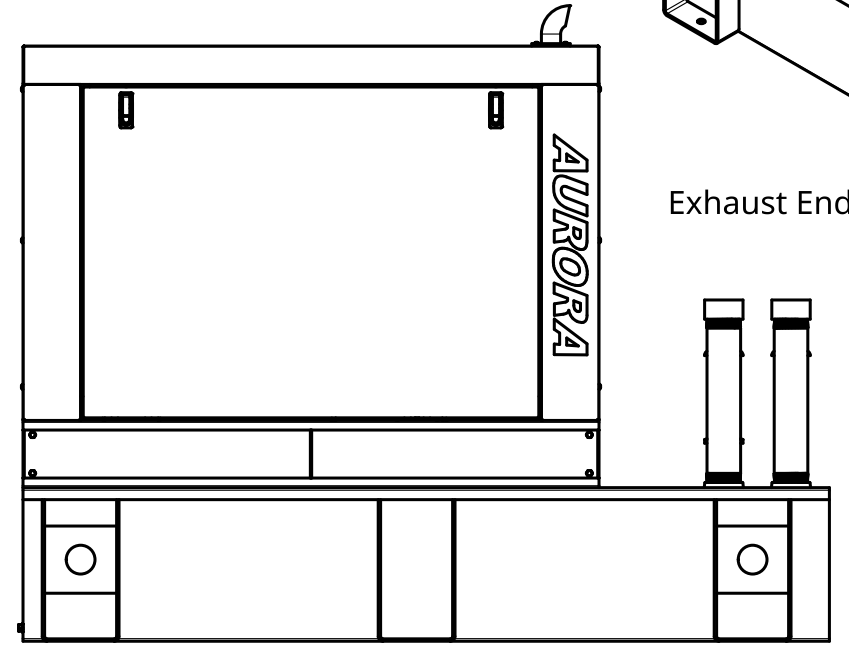
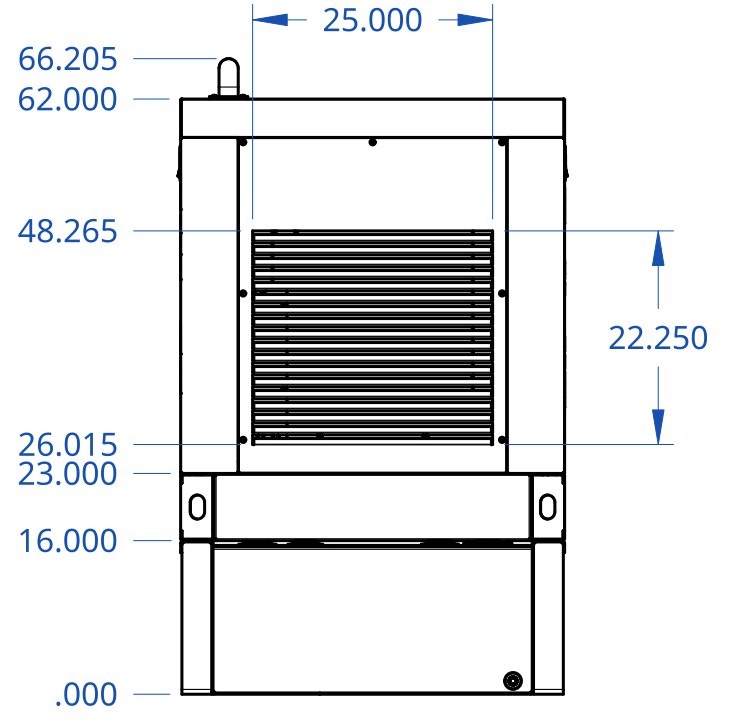
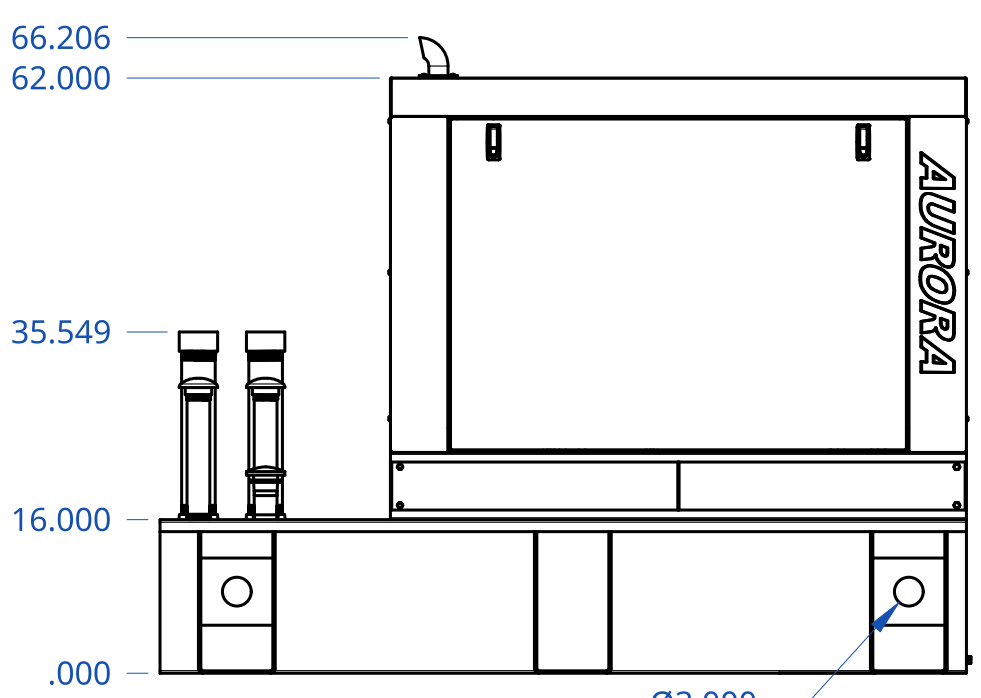
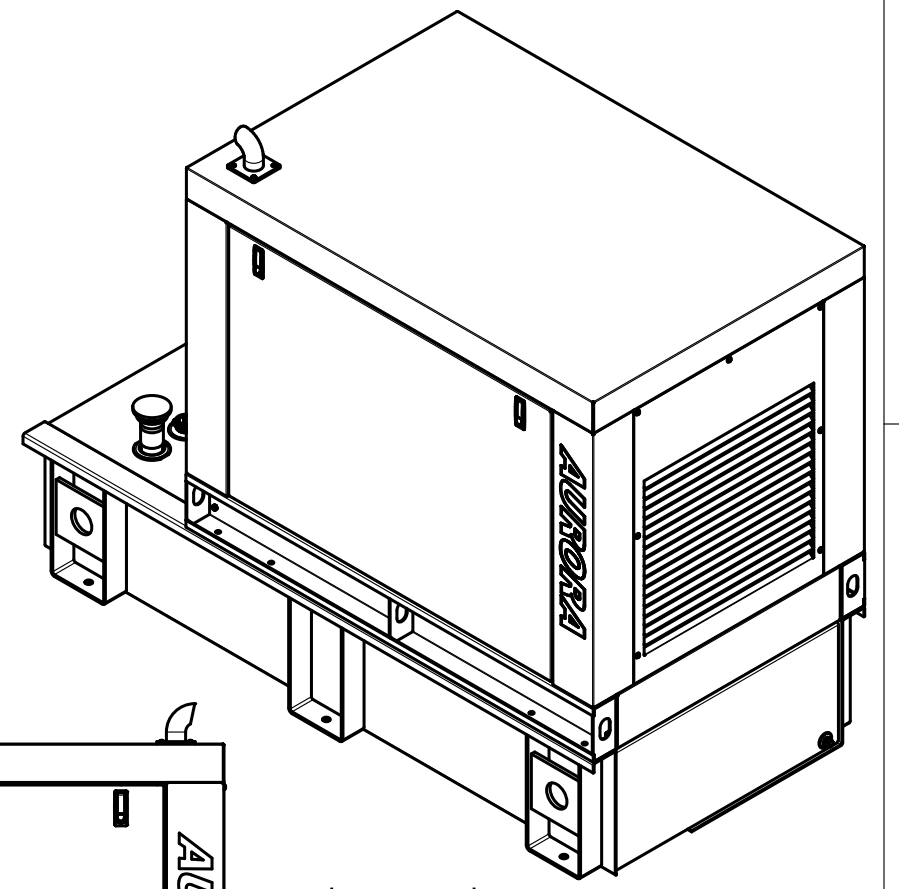
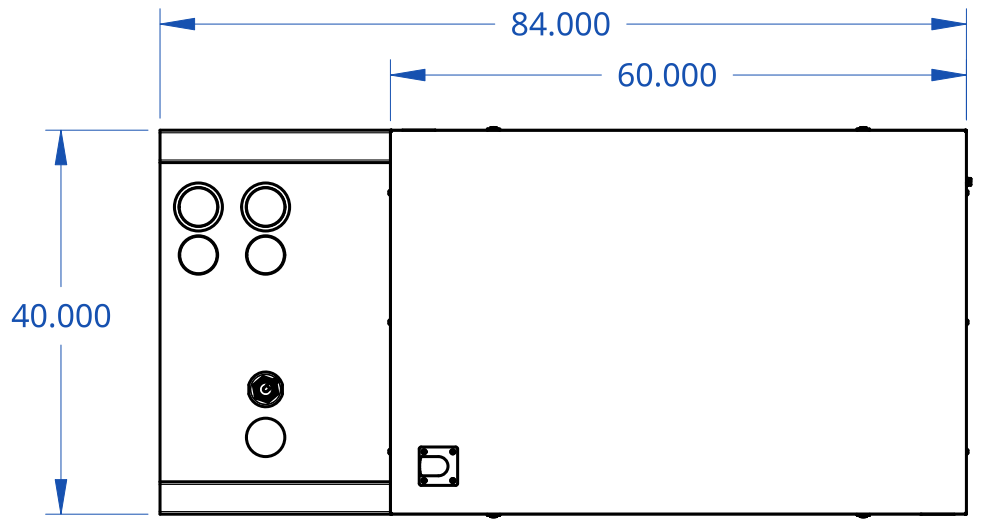


4

3

2

1



UNLESS OTHERWISE SPECIFIED,  
DIMENSIONS ARE IN INCHES  
.XX = ±.0-  
.XXX = ±.00-  
.XXXX = ±.000-  
SURFACE FINISH

ANGULAR = ± °  
FRACTIONAL = ±

DO NOT SCALE DRAWING  
BREAK ALL SHARP EDGES AND  
REMOVE BURRS  
THIRD ANGLE PROJECTION

	NAME	DATE
DRAWN	RON KATZ	03/02/2021
CHECKED		
APPROVED		
MATERIAL	FINISH	

TITLE		
22-25 kW Generator with 100 Gal Tank Aurora Generators Inc.		
SIZE	DWG NO.	REV.
B	AGi22Y-100	B
SCALE	WEIGHT	SHEET
		1 of 1

4

3

2

1

D

D

C

C

B

B

A

A